

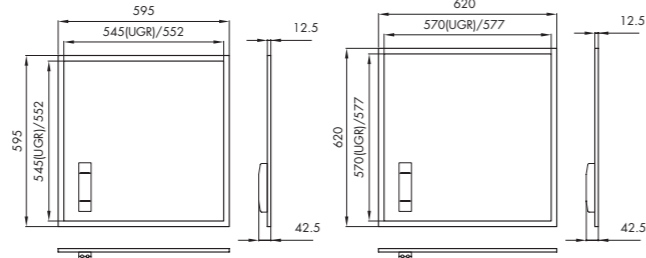
LED Flat Panel

Installation Manual

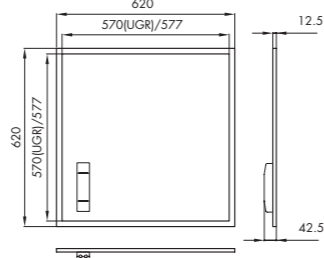


Dimension

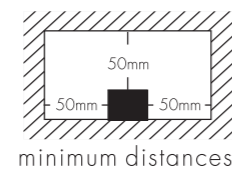
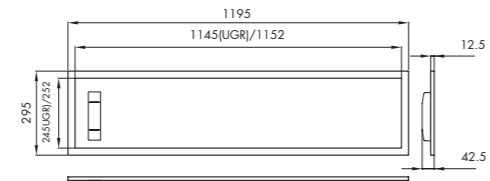
595x595 mm



620x620 mm

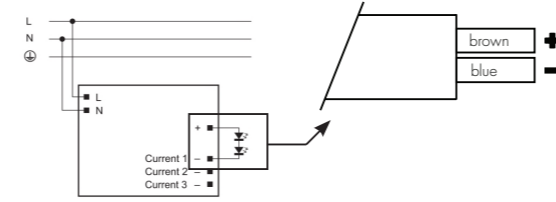


1195x295 mm

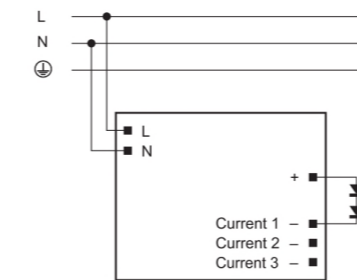
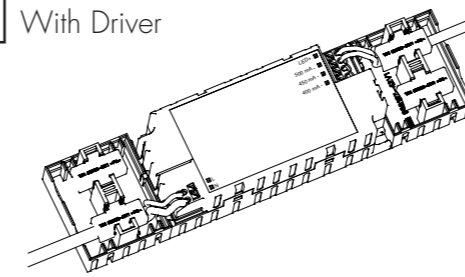


Type

Without external driver
 $I_N = \text{max. } 1050\text{mA, typ. } 33\text{V DC, } 38\text{W}$

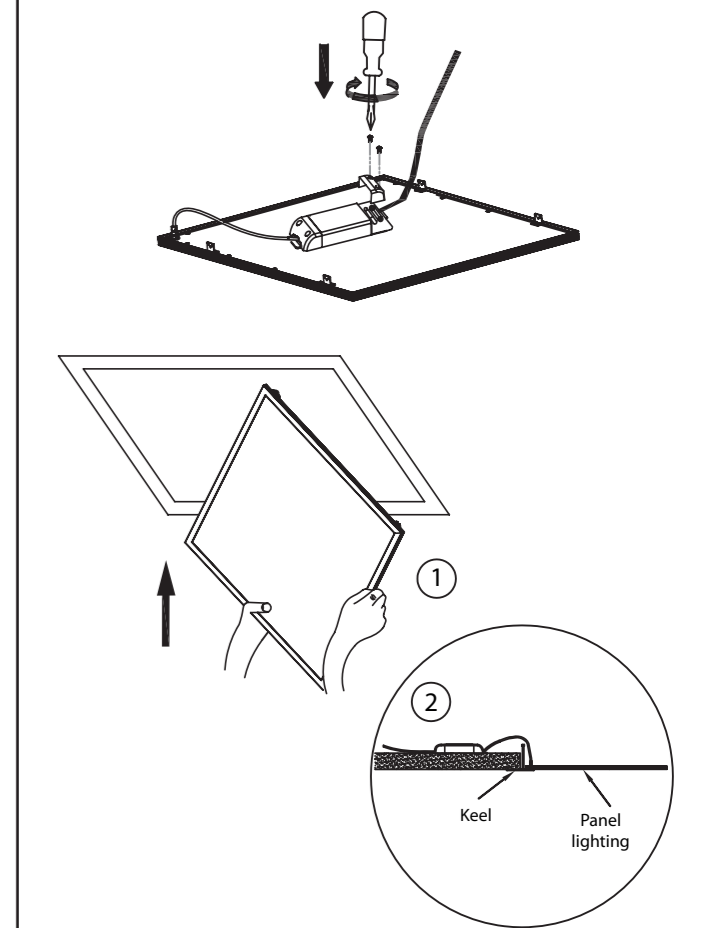
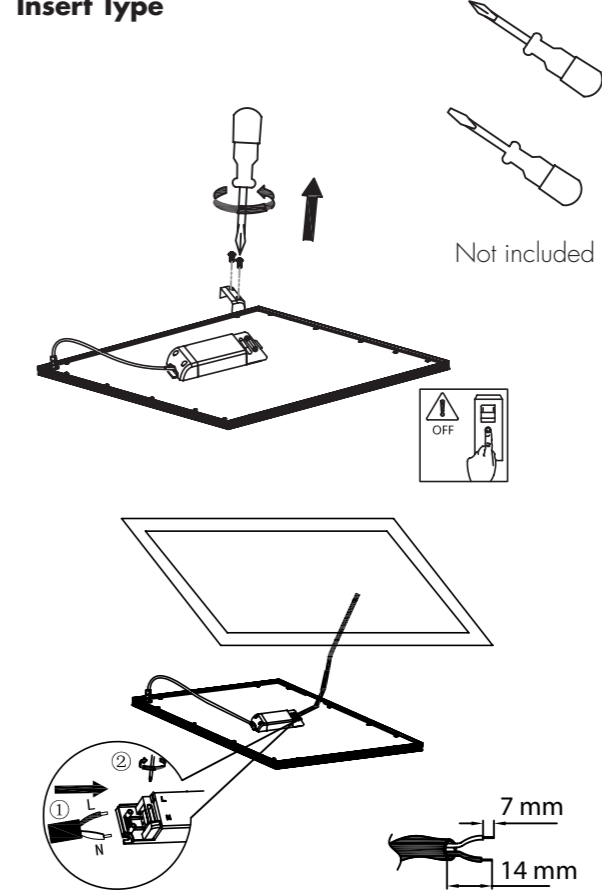


With Driver

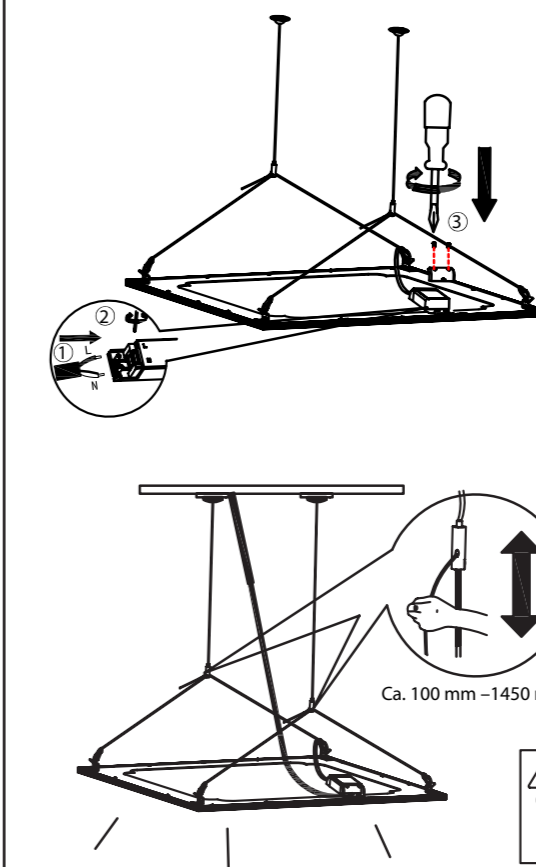
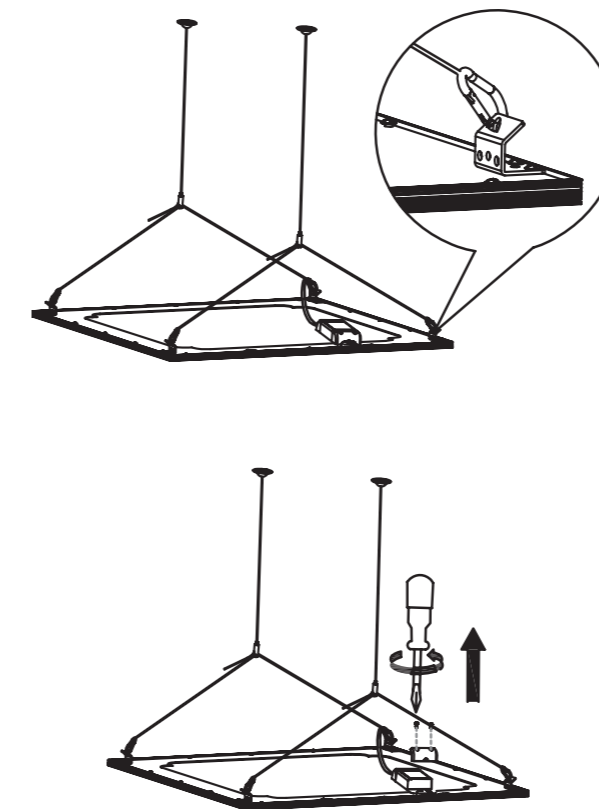
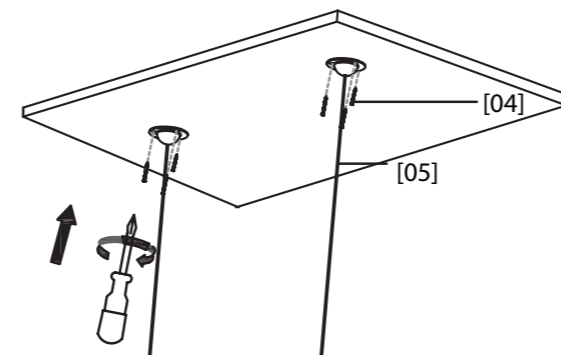
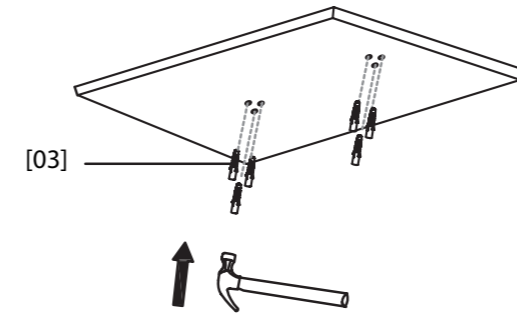
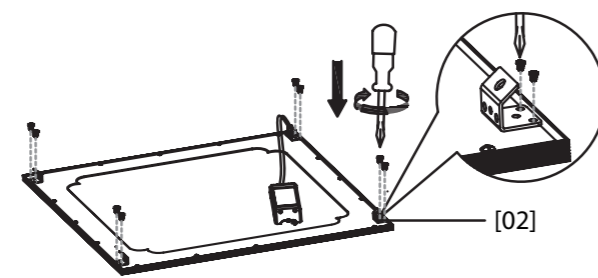
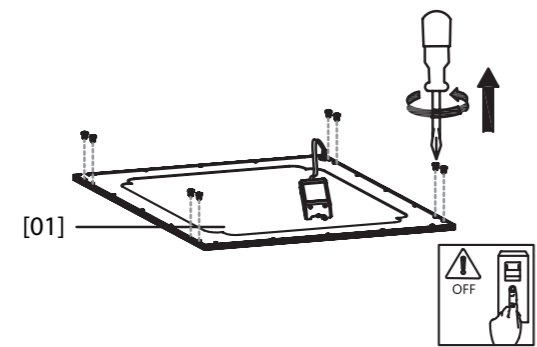
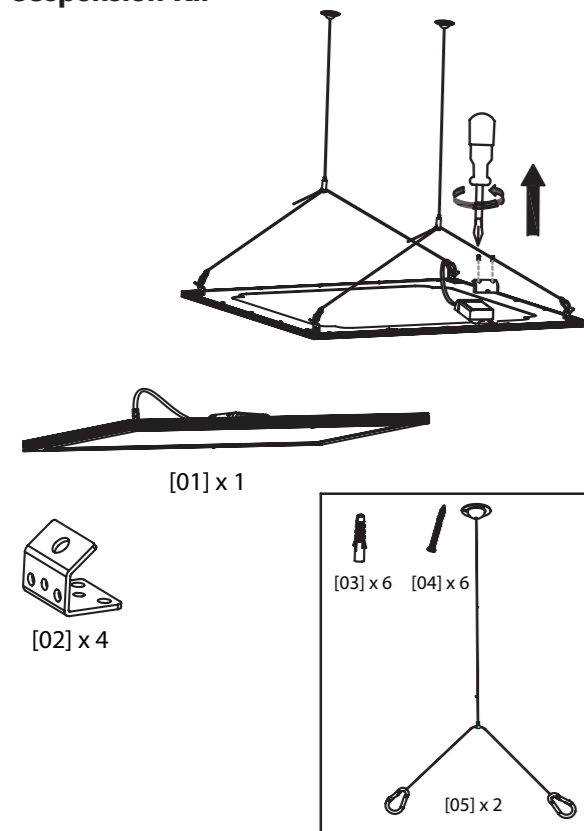


A	B	C
H05VVf	8.5 - 10mm	2x 0.2 - 1.5mm ²

Insert Type



Hanging Type with Suspension Kit



Surface Mounting Frame Type

